



### Amp Meter 96x96 ( Panel Cut-Out 91x91 mm)

Part No.	Mounting	Range	Price
SAD-96	Direct Connect	5A, 10A, 15A, 20A, 30A	350.00
		30A, 50A, 60A, 100A	
SAC-96	Connect with CT /5A	100/5, 150/5, 200/5, 250/5,	350.00
		300/5, 400/5, 500/5, 600/5,	
		800/5, 1000/5, 1200/5, 1500/5,	
		1600/5, 2000/5, 2500/5, 3000/5,	
		4000/5, 5000/5	

### Volt Meter 96x96 ( Panel Cut-Out 91x91 mm)

Part No.	Mounting	Range	Price
SAV-96	Direct Connect	0-300V	380.00
		0-500V	

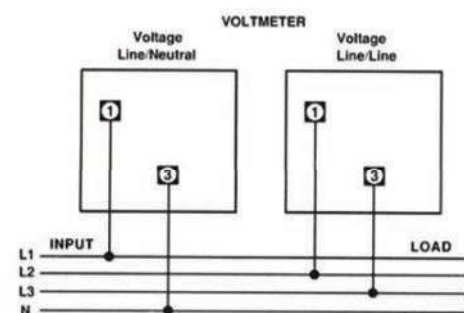
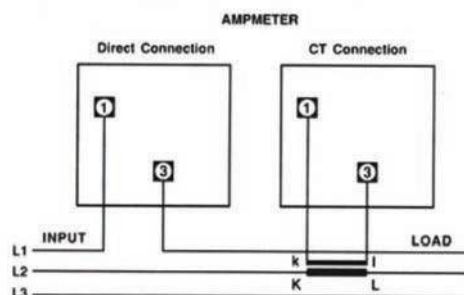
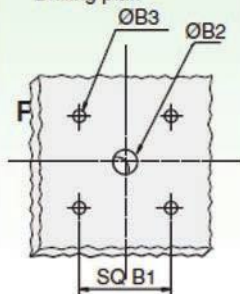
### Amp Meter Switch

Part No.	Plate Size	Description	Price
RT16 61325 B03 FH YR	48 x 60 (B1:36,B2:12,B3:4.5)	16 A, Yellow plate & Red flag Knob	480.00
		Marking : OFF-R-S-T	
RT16 61325 B13 FH YR	64 x 80 (B1:48,B2:12,B3:4.5)	16 A, Yellow plate & Red flag Knob	525.00
		Marking : OFF-R-S-T	

### Volt Meter Switch

Part No.	Plate Size	Description	Price
RT16 61313 B03 FH YR	48 x 60 (B1:36,B2:12,B3:4.5)	16 A, Yellow plate & Red flag Knob	480.00
		Marking : RS-ST-TR-OFF-RN-SN-TN	
RT16 61313 B13 FH YR	64 x 80 (B1:48,B2:12,B3:4.5)	16 A, Yellow plate & Red flag Knob	525.00
		Marking : RS-ST-TR-OFF-RN-SN-TN	

### Drilling plan



Accuracy class: 1.5

(± 1.5 % error margin at full scale)

Front panel protection:

IP 44 reference IEC 60529

Dielectric test voltage:

2 kV / 50 Hz / 1 mm, reference IEC 144

Maximum operating voltage: 650 Vac

Resistance to shocks: IEC 68-2-27

Resistance to vibrations: IEC 60068-2-6

Environment: IEC 68-1

Reference temperature: 23 °C ± 2 °C

Operating temperature: -25 °C to +50 °C

Storage temperature: -25 °C to +70 °C

Relative humidity: < 90 % at 40 °C

Mounting:

Panel thickness: 8 mm max.



02-540-1215



062-359-2344



info@c-minor.co.th



@c-minor