

# MUNDIAL

## INDUSTRIAL PLUGS AND SOCKETS

Description: IP66-IP67 WANDER SOCKET 2P+E 220V 32A 6H

Reference:  
**02704**

### Characteristics:

<b>Product type:</b>	Low voltage wander socket
<b>Current:</b>	32A
<b>Poles:</b>	2P+E
<b>Voltage:</b>	200/250 V
<b>Frecuency(Hz):</b>	-
<b>Time code:</b>	6
<b>Colour:</b>	BLUE
<b>Weight (Kg):</b>	0,26
<b>Materials:</b>	Halogen-free plastic materials. Plastic parts: polyamide 6. Contacts: copper-zinc alloy
<b>Packaging units:</b>	5

### Technical data:

<b>Degree of protection:</b>	IP66-IP67
<b>Resistance to impact:</b>	IK08
<b>Glow wire resistance:</b>	960 °C
<b>Ball pressure test:</b>	125 °C
<b>Ambient temperature range:</b>	-25 °C / +40 °C

### Certifications and norms:

<b>Directive:</b>	2014/35/EU
<b>Standards:</b>	UNE-EN 60309-1-2
<b>Certificates:</b>	



### Codes:

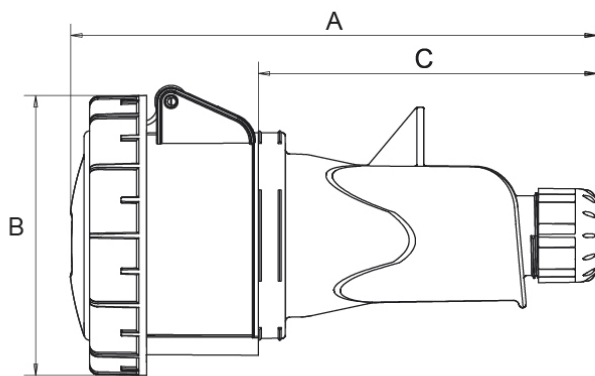
<b>EAN:</b>	8431044027043
<b>Customs tariff number:</b>	85.36.69.90
<b>ETIM 6.0:</b>	EC001320

# MUNDIAL

## INDUSTRIAL PLUGS AND SOCKETS

Description: IP66-IP67 WANDER SOCKET 2P+E 220V 32A 6H

Reference: 02704



### Dimensions:

I	Poles	Dimensions		
		A	B	C
16 A	2P+E	156	69	96
	3P+E	160	77	106
	3P+N+E	172	89	111
32A	2P+E	182	89	111
	3P+E	182	89	111
	3P+N+E	189	98	118
63 A	2P+E	269	114	
	3P+E	269	114	
	3P+N+E	269	114	
125A	2P+E	287	124	
	3P+E	287	124	
	3P+N+E	287	124	

### Sustainability:

RoHS - REACH

### Product end of life stage:

Product concerned in the WEEE regulations.

### Supply:

Supplied in a single box per packaging multiple