

# MUNDIAL

## INDUSTRIAL PLUGS AND SOCKETS

Description: IP66-IP67 SLOPING FLUSH-FIT SOCKET 2P+E 380V 16A 9H

Reference:

**03801**

### Characteristics:

<b>Product type:</b>	Low voltage sloping flush-fit socket
<b>Current:</b>	16A
<b>Poles:</b>	2P+E
<b>Voltage:</b>	380/415 V
<b>Frecuency(Hz):</b>	-
<b>Time code:</b>	9
<b>Colour:</b>	RED
<b>Weight (Kg):</b>	0,15
<b>Materials:</b>	Halogen-free plastic materials. Plastic parts: polyamide 6. Contacts: copper-zinc alloy
<b>Packaging units:</b>	8

### Technical data:

<b>Degree of protection:</b>	IP66-IP67
<b>Resistance to impact:</b>	IK08
<b>Glow wire resistance:</b>	960 °C
<b>Ball pressure test:</b>	125 °C
<b>Ambient temperature range:</b>	-25 °C / +40 °C

### Certifications and norms:

<b>Directive:</b>	2014/35/EU
<b>Standards:</b>	UNE-EN 60309-1-2
<b>Certificates:</b>	



### Codes:

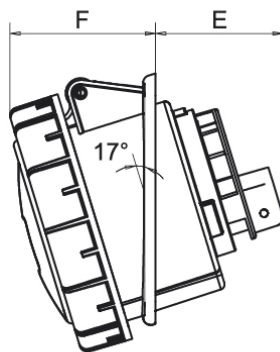
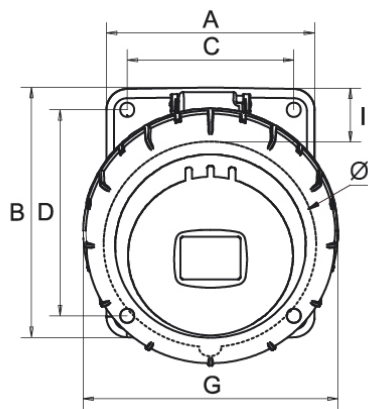
<b>EAN:</b>	8431044038018
<b>Customs tariff number:</b>	85.36.69.90
<b>ETIM 6.0:</b>	EC001317

# MUNDIAL

## INDUSTRIAL PLUGS AND SOCKETS

Description: IP66-IP67 SLOPING FLUSH-FIT SOCKET 2P+E 380V 16A 9H

Reference: 03801



The colour of the picture does not match the actual image.

### Dimensions:

I	Poles	Dimensions								
		A	B	C	D	E	F	G	I	Ø
16 A	2P+E	66	83	50	65	43	50	69	17	53
	3P+E	66	83	50	65	43	50	77	14	60
	3P+N+E	80	98	64	79	43	50	89	15	66
32A	2P+E	80	96	64	79	50	56	89	14	68
	3P+E	80	96	64	79	50	56	89	14	68
	3P+N+E	80	96	64	79	50	56	98	11	74
63 A	2P+E	100	112	80	88	64	80	109	-	92x82
	3P+E	100	112	80	88	64	80	109	-	92x82
	3P+N+E	100	112	80	88	64	80	109	-	92x82
125A	2P+E	120	130	100	108	92	77	124	-	102x90
	3P+E	120	130	100	108	92	77	124	-	102x90
	3P+N+E	120	130	100	108	92	77	124	-	102x90

### Sustainability:

RoHS - REACH

### Product end of life stage:

Product concerned in the WEEE regulations.

### Supply:

Supplied in a single box per packaging multiple