



LIQUID LEAK DETECTION SYSTEMS
CONSTRUCTION DIVISION

FG-ECP

Point Sensor

Product Datasheet



- ▶ Compatible with Digital Systems
- ▶ Detects and Locates Leaks
- ▶ IP67 Protection Marking

Description

The FG-ECP is a Point Sensor for water leak detection. It is designed to be used with TTK Digital Units FG-SYS or FG-NET to give instant detection of liquid leaks.

In the event of liquid leak or cable break on the FG-ECP, the connected digital unit will respond as follows:

- An audible alarm is triggered and a relay is activated.
- The location of the leak (address of the FG-ECP) and details of the fault (the type of fault: leak or cable break) are displayed on the screen.
- Event report is sent to the BMS via MODBUS /JBUS protocol.

Features & Benefits

FEATURES

- Available in three models: sense cable in U-shape, in L-shape and in Customized Version to suit different environments.
- Up to 40 FG-ECP can be connected to one circuit of the digital unit.
- The digital communication is made with a length of TTK bus 8723 connected to various FG-ECP and the digital unit.
- PG7 glands on the box sides make jumper cabling quick and easy.
- IP 67 protection marking. FG-ECP is protected against dust and water.
- The LED on the front face of the box indicates the box's status in real time:
 - Blinking green: normal, no alarm.
 - Blinking red: leak detected on the box.
 - No LED light: cablebreak detected on the box or loss of communication.

BENEFITS

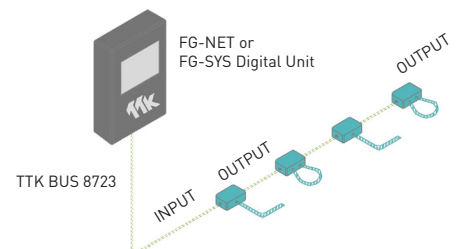
- The FG-ECP detects and locates rapidly a liquid leak that comes in contact with it.
- The FG-ECP detects any break or cut to the cable.
- The sense cable FG-ECS uses non-absorbent design, it resets automatically within seconds after clearing the leak.
- The FG-ECP is small and light. It is ideally suited for environments as plantrooms, bunded areas, drip trays, etc.
- The FG-ECP ensures permanent protection in areas at risk of water leakage.
- A simple bi-annual test is all that is required.

Technical Data

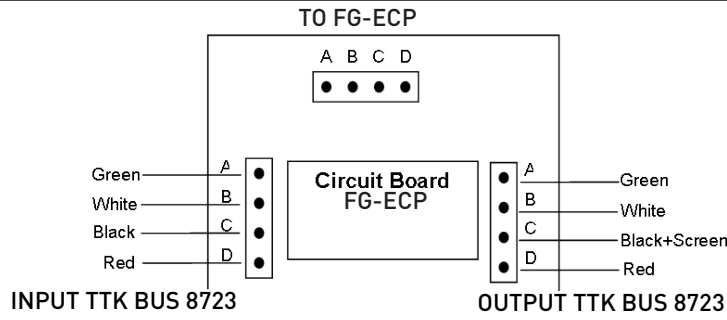
Compatibility	Digital units: FG-SYS, FG-NET, FG-BBOX
Enclosure	ABS flame retardant UL94V0
Operating Temperature	0°C to 50°C
FG-ECS Water Sense Cable Diameter	8 mm with PELD jacket
Protection Rating	IP 67
FG-ECP Colour	Dark blue for the sense cable
Dimensions (W,H,D)	105mm x 75mm x 55mm

Connection Schematic

- The two models: sense cable in U-shape and L-shape can be mixed in one circuit. FG-ECP can also be installed in the same circuit with digital water / acid sense cables.
- Maximum: 40 FG-ECP (40 addresses) connected to one circuit of the digital unit.
- In the schematic, INPUT corresponds to the TTK BUS 8723 cable coming from the Digital Unit; OUTPUT corresponds to the TTK BUS 8723 cable leaving towards the following FG-ECP.
- In the last FG-ECP, a shunt in OUTPUT in the circuit board must be done.

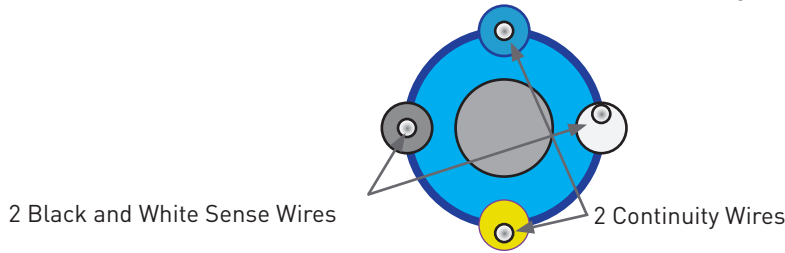


Electrical Information



FG-ECP is made of Four Wires Sense Cable FG-ECS:

2 Communication Wires and 2 Wires for Locating



Product Diagram



FG-ECP in U-shape



FG-ECP in L-shape



FG-ECP "Customized Version"

Identification Codes

FG-ECP "U"	Point sensor in U-shape
FG-ECP "L"	Point sensor in L-shape
FG-ECP "Customized Version"	including below 2 elements: <ul style="list-style-type: none"> • FG-ECP: box only • FG-ECS sense cable: at precised length
FG-NET	Digital Touchscreen Leak Detection Panel 100-240VAC
FG-SYS	FG-SYS digital unit wall mounted in metal enclosure
Accessories:	
TTK BUS 8723	Jumper cable

Certificate



All TTK sensing cables are designed as a part of the leak detection system thus included in the approval certification for TTK monitoring panels. FG-NET and FG-SYS systems meet the requirements of all European Standards in EN 50081 and EN 50082 EMC. FG-NET and FG-SYS systems meet the TÜV requirements, according to IEC 61010-1/A2. FG-NET and FG-SYS systems are UL Listed.

This brochure has been carefully prepared to ensure technical accuracy but is only intended for promotional use. TTK cannot guarantee that the information contained herein contains no errors or omissions, and hence does not accept responsibility related to the use of its equipment. TTK maintain its obligations set forth in the Standard Terms and Conditions of Sale and will not, under any circumstances, assume liability for any incidental damages, indirect or consequential, arising from the sale, resale, use or misuse of this product. The purchaser(s) accept their responsibility as the sole judge(s) of the adaptability of the product for the intended use.

FG-NET, FG-SYS and TOPSurveillance are trademarks of TTK S.A.S. © TTK 2020

- TTK Headquarters / 19, rue du Général Foy / 75008 Paris / France / T : +33.1.56.76.90.10 / F : +33.1.55.90.62.15 / www.ttk.fr / ventes@ttk.fr
- TTK UK Ltd. / 3 Luke Street / London EC2A 4PX / United Kingdom / T : +44 207 729 6002 / F : +44 207 729 6003 / www.ttkuk.com / sales@ttkuk.com
- TTK Pte Ltd. / #09-05, Shenton House, 3 Shenton Way / Singapore 068805 / T: +65.6220.2068 / M: +65.9271.6191 / F: +65-6220.2026 / www.ttk.sg / sales@ttk.sg
- TTK Asia Ltd. / 2107-2108 Kai Tak Commercial Building / 317 Des Voeux Road Central / Hongkong / T: +852.2858.7128 / F: +852.2858.8428 / www.ttkasia.com / info@ttkasia.com
- TTK Middle East FZCO / Building 6EA, Office 510 PO Box 54925 / Dubai Airport Free Zone / UAE / T: +971 4 70 17 553 / M: +971 50 259 66 29 / www.ttkuk.com / cgalliche@ttk.com
- TTK Deutschland GmbH / Berner Strasse 34 / 60437 Frankfurt / Deutschland / T : +49(0)69-95005630 / F : +49(0)69-95005640 / www.ttk-gmbh.de / vertrieb@ttk-gmbh.de
- TTK North America Inc / 1730 St Laurent Boulevard Suite 800 / Ottawa, ON, K1G 5L1 / Canada / T : +1 613 566 5968 / www.ttkcanada.com / info@ttkcanada.com
- Thomas Sales & Marketing Inc. TTK Master Distributor For USA / 7200 W 66th St / Bedford Park, IL 60638 / The United States / T: +1 630-518-4724 / www.ttkusa.com / dmolk@ttkusa.com