

SI-K REPULSION START TYPE

TOTALLY ENCLOSED TYPE, IP 44 DEGREES OF PROTECTION



SI-K 1HP 4P 100

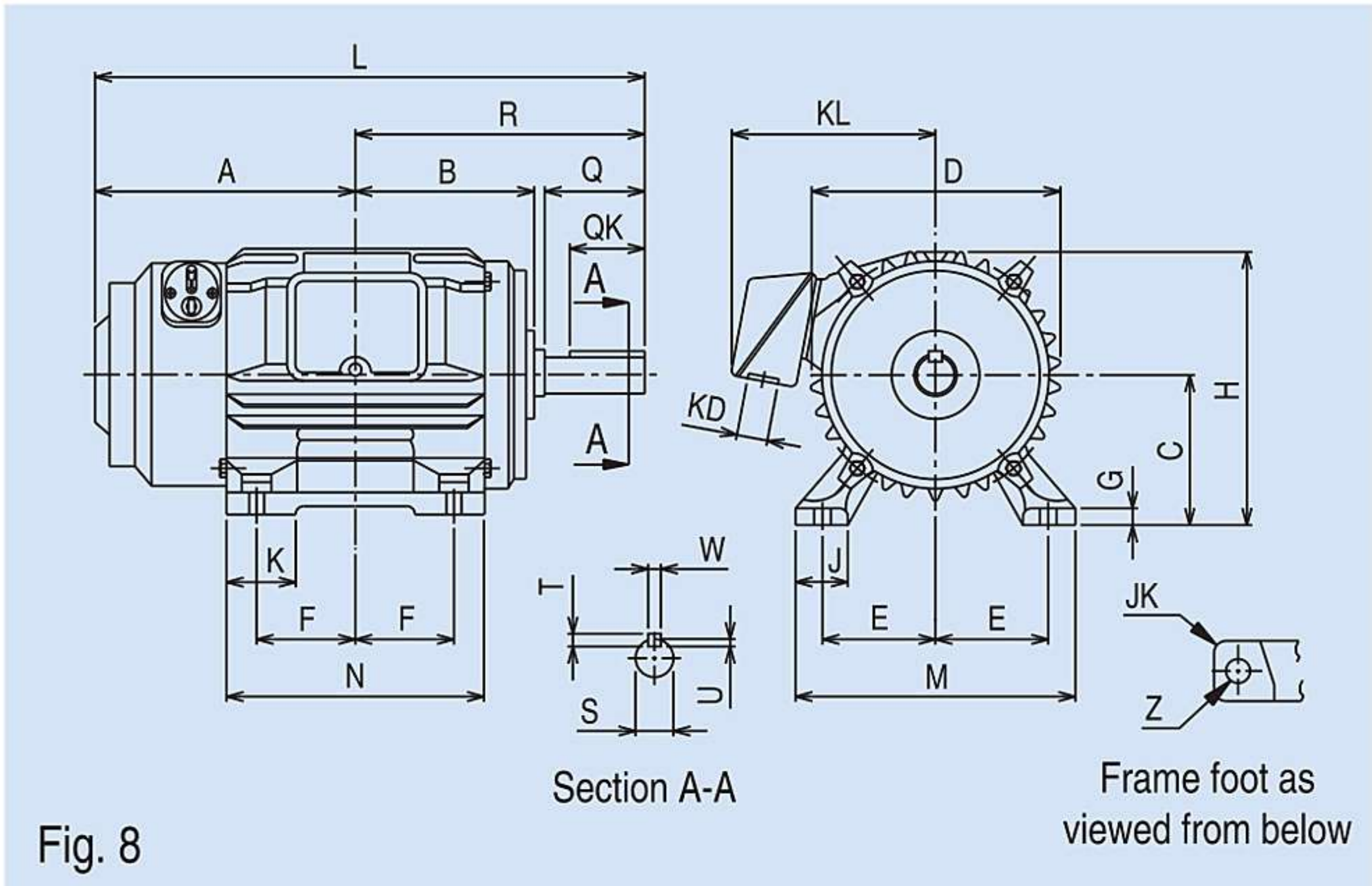


Fig. 8

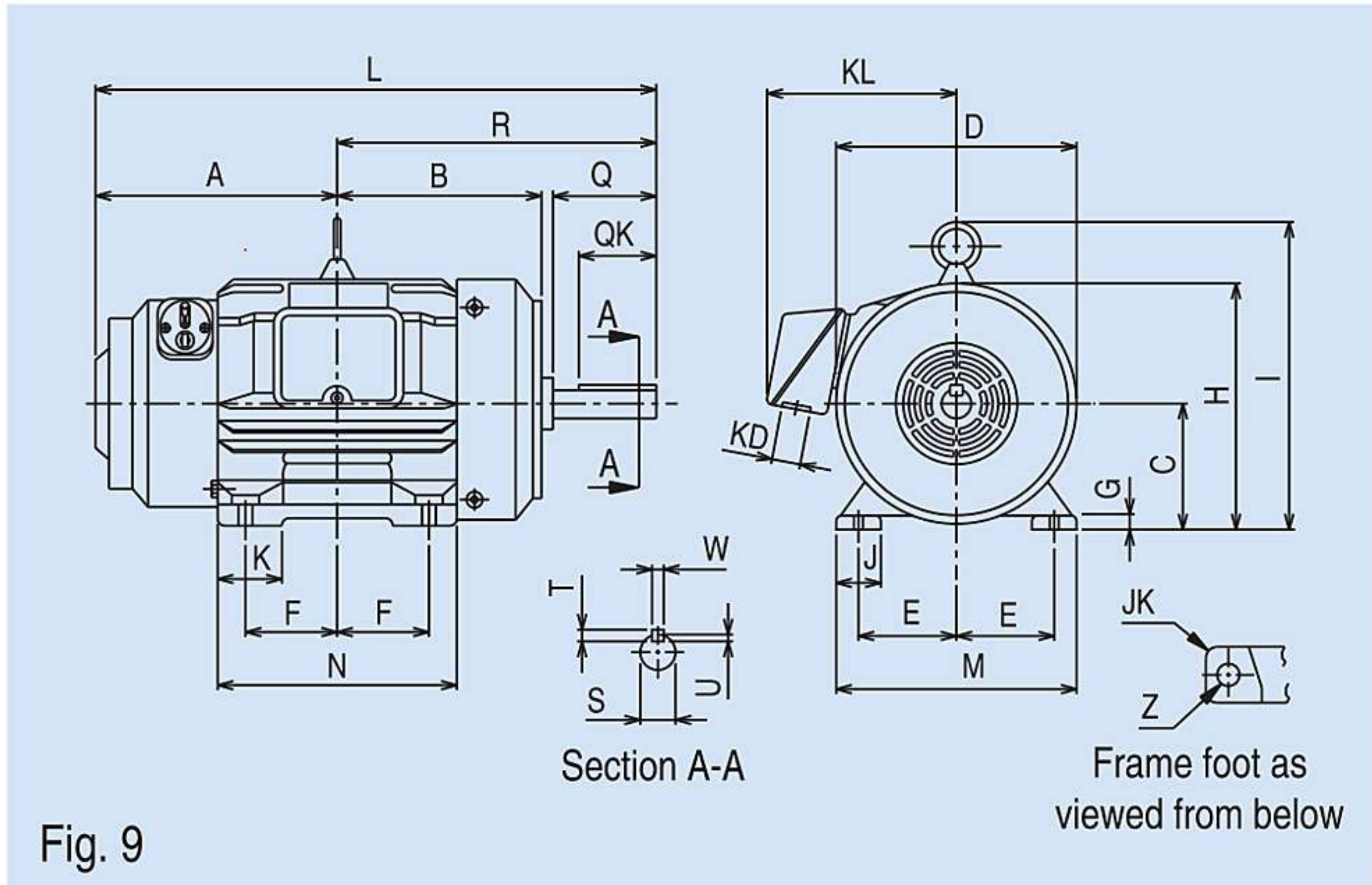


Fig. 9

Dimensions (mm)

Model	Frame No.	Output HP (kW)	Pole	Fig.	Motor																	
					A	B	C*	D	E	F	G	H	I	J	JK	K	KD	KL	L	M	N	Z
SI-K	100	1/2(0.4)	4	8	170.5	128	100	208	80	70	12	204	-	40	3	40	27	161	343.5	200	175	12
	100	1 (0.75)	4	9	170.5	168.5	100	212	80	70	12	206	237.5	40	3	40	27	161	383.5	200	175	12
	100	1 3/4 (1.3)	4		185.5	168.5	100	212	80	70	12	206	237.5	40	3	40	27	161	398.5	200	175	12

* The perpendicular variation of tolerance for the shaft center is $\frac{0}{-0.5}$

Model	Frame No.	Output HP (kW)	Pole	Fig.	Shaft end						Bearing No.		Approximate weight (kg)	Approximate packing dimensions (LxWxH)	Packing weight (kg)	
					Q	QK	R	S	T	U	W	Drive end				Opposite
SI-K	100	1/2(0.4)	4	8	40	28	173	16 j6	5	3	5	6205ZZ	6203ZZ	26.4	395 x 309 x 258	28.2
	100	1 (0.75)	4	9	40	36	213	22 j6	7	4	8	6205ZZ	6203ZZ	32.0	424 x 309 x 258	34
	100	1 3/4 (1.3)	4		40	36	213	24 j6	7	4	8	6206ZZ	6204ZZ	36.6	522 x 372 x 320	43.6